

S.E.T. Virtual Trainer

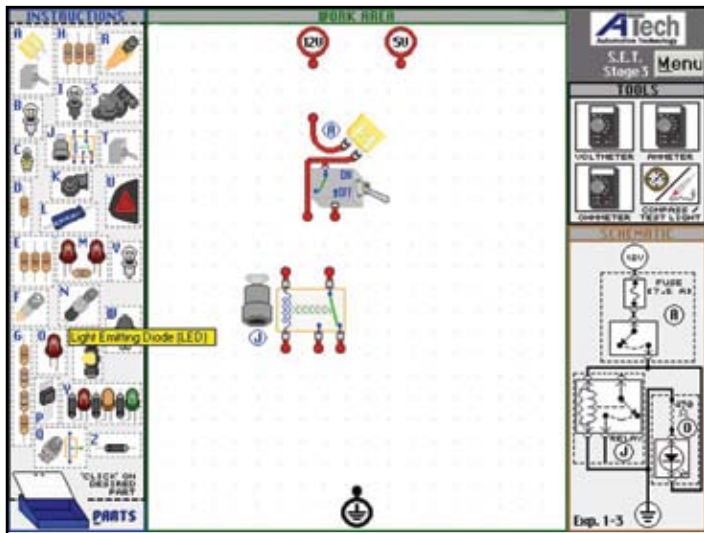
(models 18002VT1/18002VT1N, 18002VT2/18002VT2N, & 18002VT3/18002VT3N)

This ATech software is a low cost Complement/Alternative to the GM S.E.T. project board. The program provides a virtual simulation of the GM S.E.T. Trainer and the instructional resources to perform the experiments from the GM “Electrical/Electronics” Stage 1, Stage 2 and Stage 3 courses.

- Experiment circuit illustrated in schematic
- Operational schematic, i.e. switch operates on both pictorial circuit and schematic
- Operational schematic ties components to symbols



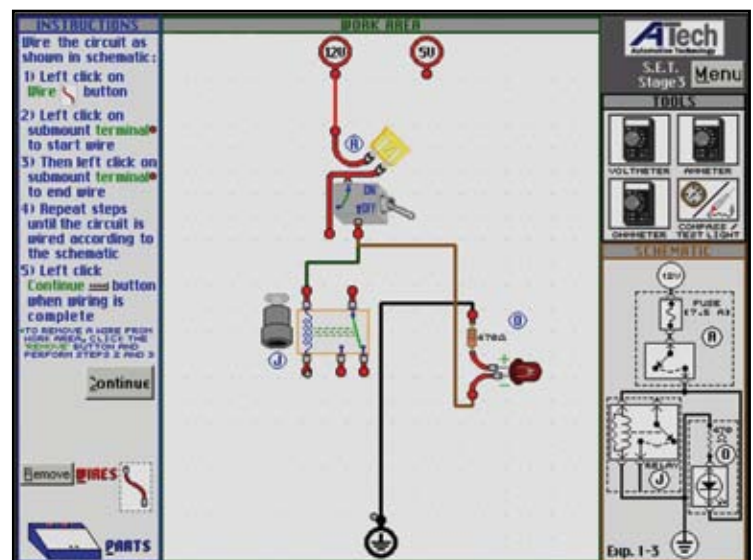
Circuit Selection by Experiment Number



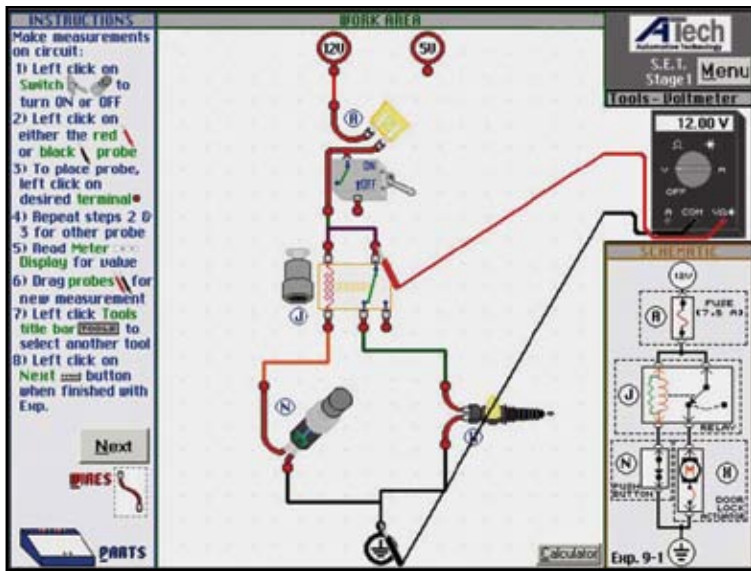
Submount Selection and Placement

- Interactive wiring of submounts
- Interactive relocation of wired submounts allows circuit reposition on breadboard
- Voltage measurements
- Resistance measurements
- Current measurements
- Simulated component operations

- Submount/component selection from pictorials and module numbers
- Submount/component interactive placement by selecting and dragging to position
- Software checks for accurate submount/component selection



Interactive Wiring

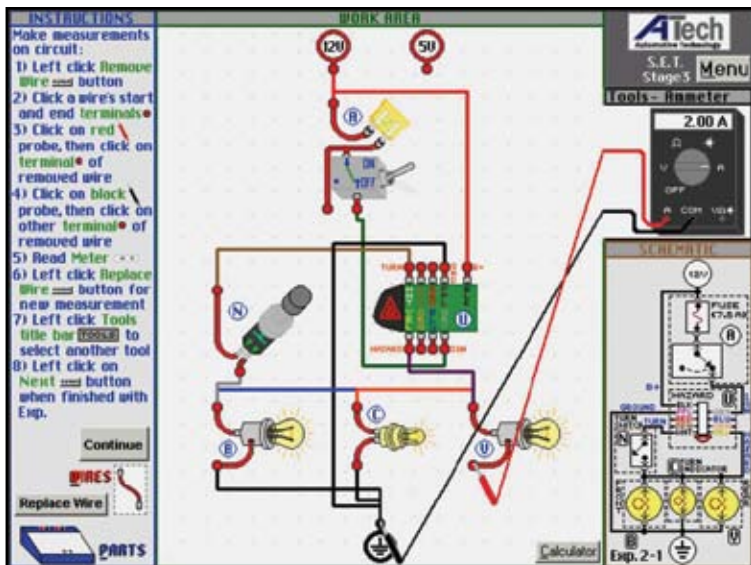
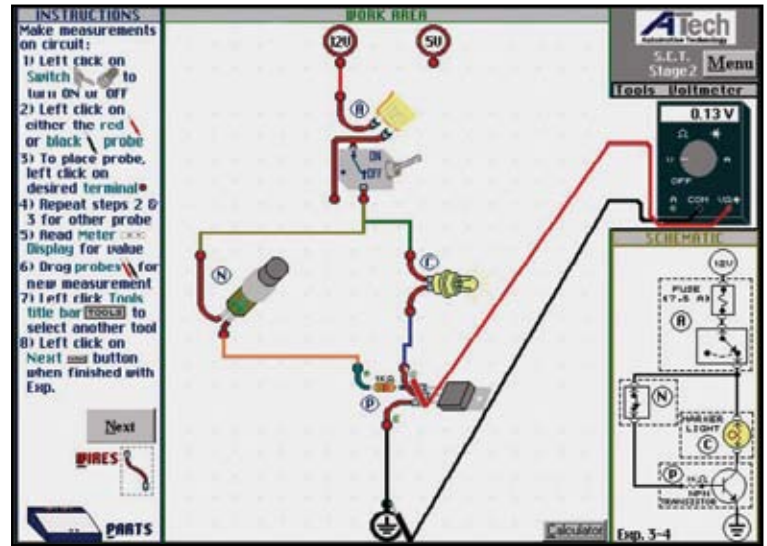


GM S.E.T. "Virtual" Trainer - Stage 1 model 18002VT1

- Properties of Electricity
- Ohm's Law
- Series Circuits
- Parallel Circuits
- Series-Parallel Circuits
- Circuit Faults
- Electromagnetic Induction
- Network Version Available - model 18002VT1N

GM S.E.T. "Virtual" Trainer - Stage 2 model 18002VT2

- Automotive Electrical Components
- Solid State Components
- Vehicle Systems
- Network Version Available - model 18002VT2N



GM S.E.T. "Virtual" Trainer - Stage 3 model 18002VT3

- Computers
- Sensor Inputs
- Actuator Outputs
- Series-Parallel Circuits
- Network Version Available - model 18002VT3N

Call Now to Place your Order (Press 2 for Sales)

Atech Training, Inc.
 12290 Chandler Drive • Walton, KY 41094
 Toll Free: 1-888-738-9924
 Phone: 859-485-7229 • Fax: 859-485-7299
 E-mail: sales@atechtraining.com
www.atechtraining.com

