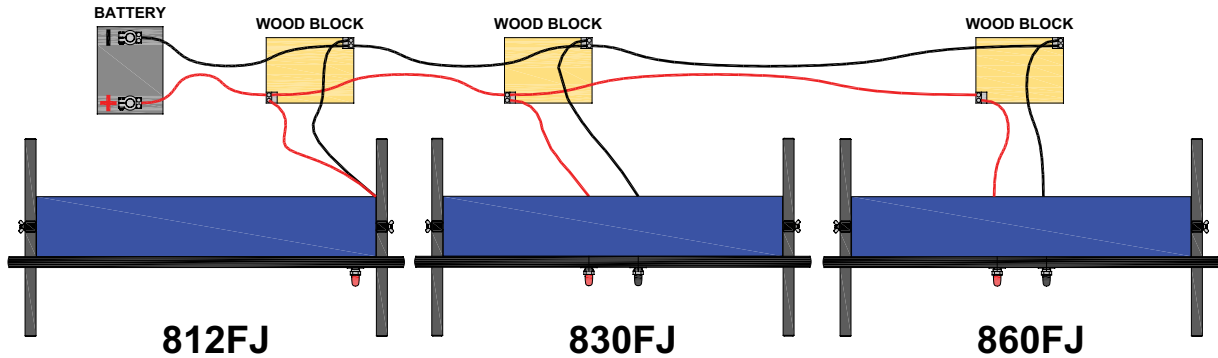


Power Buss



Features:

The Power Buss allows Smarter Car to be wired for 12VDC, similar to a vehicle. Includes materials (cable, wood blocks, ground lugs, clamps, bumper, and screws) to make and is an excellent class project.

• Applies to the Following Trainers:

- | | | | |
|------------------|----------------------|------------------|-----------------------|
| » 310/310F/310FJ | Cooling Fan | » 811/811F/811FJ | Starting System |
| » 320/320F/320FJ | Blower Motor | » 812/812F/812FJ | Charging System |
| » 700/700F | Distributor Ignition | » 821/821F/821FJ | Lighting System |
| | | » 822/822F/822FJ | Instrument Panel |
| | | » 830/830F/830FJ | Interval Wiper/Washer |
| | | » 832/832F | Horn/Alarm |
| | | » 840/840F/840FJ | Power Windows |
| | | » 850/850F/850FJ | Power Door Locks |
| | | » 860/860F/860FJ | Power Seat |
| | | » 870/870F | Audio |

Call Now to Place your Order (Press 2 for Sales)

ATech Training, Inc.
12290 Chandler Drive • Walton, KY 41094
Toll Free: 1-888-738-9924
Phone: 859-485-7229 • Fax: 859-485-7299
E-mail: sales@atechtraining.com
www.atechtraining.com

ATech
Automotive Technology